

Hypertherm[®]

powermax30[®]



Power to go. Performance to last.

1/4" (6 mm)
Recommended capacity

3/8" (10 mm)
Maximum capacity

1/2" (12 mm)
Severance capacity

Highly portable air plasma cutting system



powermax30[®]

Power to go. Performance to last.

As with all systems we manufacture, Hypertherm is committed to exceed customer expectations. The Powermax30 is no exception. A completely new design, engineered from the ground up, the Powermax30 sets the industry performance standard for a highly portable, easy-to-use plasma cutting system. With highly advanced inverter technology, the Powermax30 has unsurpassed power in its class and an unequaled industrial duty rating, while weighing only 20 lbs (9 kg) – 60% lighter than previous systems in its category. Though compact and portable, the Powermax30 is a rugged, industrial machine with the reliability that you've come to expect from the world leader in plasma cutting technology.

Power

- State-of-the-art inverter technology and full Digital Signal Processing (DSP) delivers unmatched performance.
- Auto-voltage capability automatically adapts to any incoming power from 120 V to 230 V, single phase.
- Cuts faster than oxy-fuel or any mechanical metal cutting tool.

Capacity ratings:

1/4" (6 mm) Recommended

3/8" (10 mm) Maximum

1/2" (12 mm) Severance

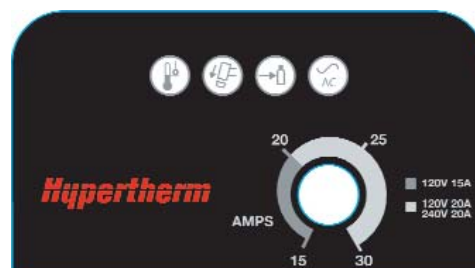
Recommended capacity – the metal thickness that can be cut with good quality and productivity, generally at 20 IPM (500 mm/min) or higher.

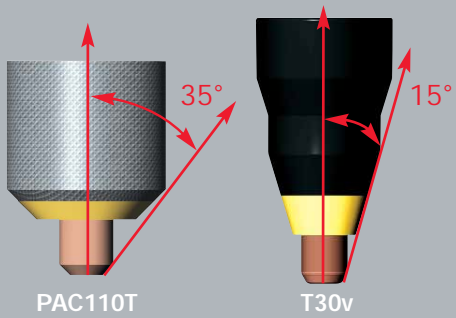
Maximum capacity – metal thickness that can be cut with good quality, but at a reduced speed, approximately 10 IPM (250 mm/min).

Severance capacity – top end of system's capabilities: metals can be severed, but with reduced cut quality and slower speeds.

To go

- Weighs just 20 lbs (9 kg).
- Fold-out cable wrap points and consumable carrying clips add to convenience and portability.
- Optional shoulder strap adds to the system's portability, making it easy to use for on-site operations.
- Deluxe unit includes accessories in a rugged system carrying case for safe and convenient storage.
- Factory pre-set air regulator ensures optimal performance every time.
- Simplified features and controls make it easy to set up and easy to operate.





PAC110T

T30v

The T30v – a revolutionary design in plasma cutting torches

Hypertherm's exclusive T30v torch incorporates all new patent-pending design features to maximize operator visibility and gain access to hard-to-reach locations.

What our customers are saying

"The new Hypertherm Powermax30 is small and light but it performed better than any of the other machines we have seen or used. There was lots of power for cutting, even when we were only using 120-volt power. We really liked that we could put the torch right on the work and move with no sticking for clean, smooth cuts and no worries about changing voltages when we plug in."

Royden Hirae, General Superintendent
Hotel & Restaurant Supply,
Alaka'i Mechanical Corporation
Member of Taisei Oncho Group



Performance

- Up to a 50% duty cycle, more than any system in its class, for true industrial use.
- Tapered 70-degree torch provides better arc visibility and flexibility in hard to reach applications.
- New consumables provide FineCut™ quality on thin material, while also delivering excellent performance on thicker metals.
- Newly designed, highly flexible torch leads add to the ease of use.
- Advanced pilot arc controller delivers increased re-firing capability on expanded metal, up to 3 times faster in lab tests.



To last

- Industrial-grade components designed for industrial use and harsh conditions, validated through exhaustive life-testing.
- Advanced DSP inverter technology reduces the total number of components. **Simple = More Reliable**
- New T30v torch provides an integrated approach to strain relief, designed for durability.
- Backed by a full 3-year power supply and 1-year torch warranty.
- Maximum performance in a compact industrial system, the way only Hypertherm can.

Typical applications

The Powermax30 outperforms any air-plasma cutting system in the 30-amp class

- Automotive repair and restoration
- Farm equipment maintenance
- Light metal manufacturing and fabrication
- Metal building construction
- HVAC
- Metal art fabrication
- Plant and facility maintenance
- and many more!

powermax30[®]

Specifications

Input voltages	120–230 V, 1PH, 50/60Hz
Input current @ 2.49 kW	120–230 V, 1PH: 26–13.5 A
Output voltage	83 V
Duty cycle @ 104°F (40°C) @ 30 A	35% @ 30 A, 115 V 50% @ 30 A, 230 V
Output for 100% duty cycle @ 104°F (40°C)	18 A @ 120 V 21 A @ 230 V
Maximum OCV	240 V
Dimensions	12" H* (305 mm); 6.6" W (168 mm); 14" D (356 mm)
Weight with torch	20 lbs (9 kg)
Gas supply	Clean, dry, oil-free air or nitrogen
Flow rate	240 scfh; 4.0 scfm @ 80 psi (5.5 bar)

* includes handle

Ordering information

		Systems part numbers with 15' (4.5 m) torch
120–230 V, 1PH, CSA	Standard system	088003
	Deluxe system	088004
230 V, 1PH, CE	Standard system	088005
	Deluxe system	088006

Standard system components	Deluxe system components
Power supply	Power supply
T30v torch and lead assembly, 15' (4.5 m)	Rugged foam-lined carrying case
Spare consumables	T30v torch and lead assembly, 15' (4.5 m)
Work cable with clamp, 15' (4.5 m)	Enhanced consumable kit
	Work cable with clamp, 15' (4.5 m)
	Circle cutting guide
	Cutting gloves
	Shoulder strap

Operating data

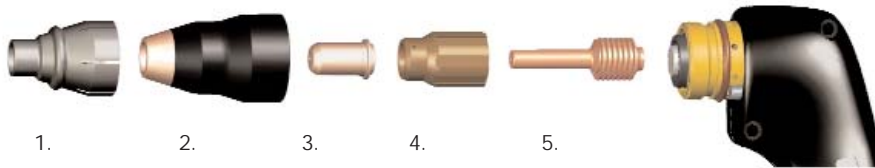
Recommended capacity	1/4" (6 mm)
Maximum capacity	3/8" (10 mm)
Severance capacity	1/2" (12 mm)

Material	Thickness		Current (amps)	Approximate Travel speed*	
	(inches)	(mm)		(ipm)	(mm/min)
Mild steel	18 GA	1.3	30	394	10007
	10 GA	3.4	30	87	2210
	3/16	4.8	30	52	1321
	1/4	6.4	30	33	838
	3/8	9.5	30	15	381
Stainless steel	18 GA	1.3	30	221	10135
	10 GA	3.4	30	55	1981
	1/4	6.4	30	24	660
	3/8	9.5	30	11	279
	Aluminum	18 GA	1.3	30	399
10 GA		3.4	30	78	1397
1/4		6.4	30	26	610
3/8		9.5	30	11	279

*Maximum travel speeds are the results of Hypertherm's laboratory testing. For optimum cut quality, speeds should be reduced between 35-50%, depending upon material. Refer to your operator manual for more detail.



This system is produced from completely lead-free components, and meets the ROHS directive.



Consumables information

Description	Part number
1. Deflector (optional)	220569
2. Retaining cap	220483
3. Nozzle	220480
4. Swirl ring	220479
5. Electrode	220478



The Powermax30 is backed by a full 3-year power supply warranty and a 1-year torch warranty. No parts excluded.

Hypertherm, Powermax, Auto-voltage and FineCut are trademarks of Hypertherm, Inc. and may be registered in the United States and/or other countries.

© Copyright 11/06 Hypertherm, Inc. Revision 0
892190

Hypertherm[®]

Hypertherm, Inc.
Hanover, NH 03755 USA
603-643-3441 Tel

Hypertherm (S) Pte Ltd.
417847, Republic of Singapore
65 6 841 2489 Tel

Hypertherm (Shanghai) Trading Co., Ltd.
PR China 200052
86-21 5258 3330 /1 Tel

Hypertherm Europe B.V.
4704 SE Roosendaal, Nederland
31 165 596907 Tel

HYPERTHERM BRASIL LTDA.
Guarulhos, SP - Brasil
55 11 6409 2636 Tel

www.hypertherm.com